



*IBA-PIXE2023 provides excellent sponsorship and/or exhibit opportunities to increase your organization's visibility and stand out from your competitors. Organizations can customize their exposure during the conference by choosing the sponsorship level and /or space that the best suits their promotional needs and budgets.*

IBA-PIXE 2023 Sponsorship Levels and Benefits	Bronze (max 10 sponsors)	Silver (max 4 sponsors)	Gold (max 2 sponsors)
Logo Link on the Conference Sponsor Web Page	●	●	●
Exhibit Booth Space	1	1	2
advertisement on Book of the Abstract (A4 1Page)	Intra page	Firster pages	back cover or back side of front cover
Short Presentation on Conference	-	● (20min)	● (30min)
Complimentary Conference Registrations*	1 person	2 persons	3 persons
Additional exhibit Booth (Please refer as for the following additional menu)	-	●	●
Price	160,000(JPY)	400,000(JPY)	500,000(JPY)

\* Please complete to apply conference registrations even exhibitors.

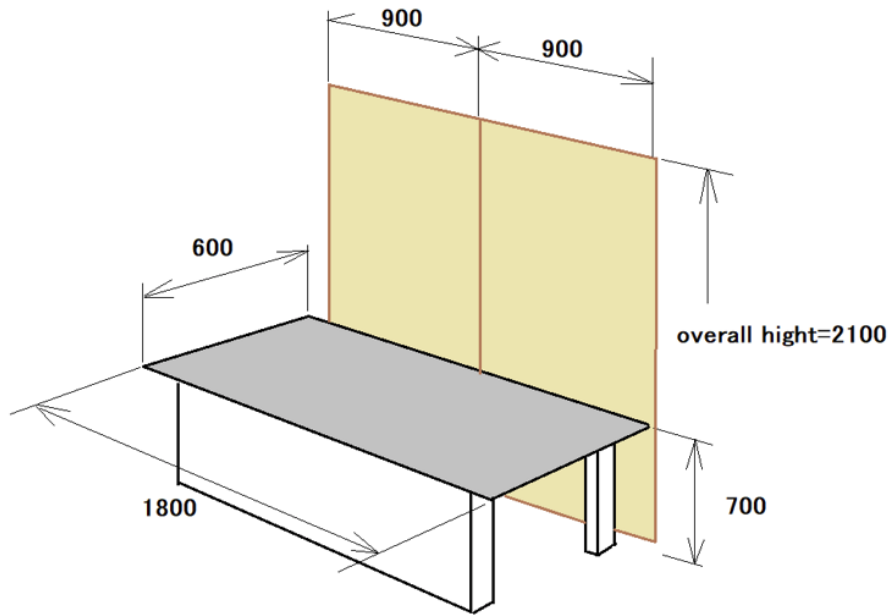
### Select of additional opportunities (Optional)

Benefits	Additional Price	Note
Reprint advertisement	50,000(JPY)	Reprint material will be put include the book of abstract. (Print material would be prepare by applicants.)
Additional Booth space (at one booth) *	100,000(JPY)	Extend in Your fundamental exhibit space

\* attention in above : additional booth space period up to 4.  
 • additional booth space is only apply for your main booth.  
 You can not create independently from main booth.

## Exhibit Booth Space

Gold/ Silver/ Bronze



\* Exhibition Hole may apply on 3d floor of the main venue

Image photo of the Exhibition hole



### 【Booth Space】

Foot Space W1800xD1800

Table with Chairs (W1800xD600xH700)

Poster Boards (W900 x H2100)

Name Board onto the Booth

Proposal electricity at Booth

Table x1 Chairs x2

x2

1 (Logo does not apply on the Name board)

100VAC 60Hz (lower than 100W) outlet x1 place

(ATTN 1) Please complete to apply conference registrations even exhibitors.

If you want to prepare the original booth, demonstrations, even some sound matters, please ask our Executive Committee.

Please allow us we sometimes difficult to comply your requests reason in venue.

## Cancellation Policy

- Soon after receive the proper applicant, we will be prepare Logo Link on the Conference Sponsor Web Page.  
We are unable to accept the cancellation, even after settled the payments, we do not return applicant fee.  
This policy will be apply even reason in person does not attend the conference.
- In case of the situation in canceled the conference, we will be fully refund but we can not refund in situation postponement or shorting terms.

## Return Completed Form to

Chair of Prof. Jiro Matsuo ([matsuo.jiro.7s@kyoto-u.ac.jp](mailto:matsuo.jiro.7s@kyoto-u.ac.jp))

Committee member's of IBA-PIXE-2023: Kunihiro Aoshima ([aoshima@adcap-vacuum.com](mailto:aoshima@adcap-vacuum.com))